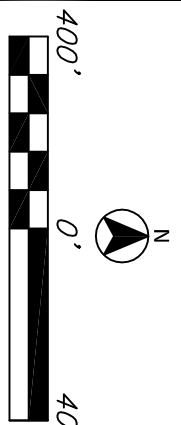
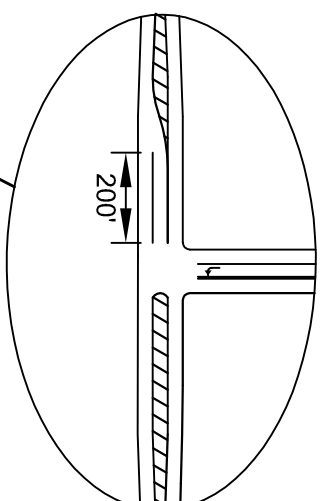


RECOMMENDED IMPROVEMENTS

Widen and improve shoulders
 Cold Water Road intersection
 -Add EB left turn lane



LEGEND

	Proposed ROW		Urban Expressway (4 Lane w/ Raised Median)		Existing Arterial
	Existing Parcel Line		Urban Arterial (5 Lane TWT)		Proposed Arterial
	Bridge		Urban Arterial (5 Lane w/ Raised Median)		Existing Collector
	Rural Expressway (4 Lane w/ Depressed Median)		2 - Lane Highway with Improved Shoulders		Proposed Collector

Disclaimer: These concepts are current as of August 2009 and depict KDOT's recommended improvements for K-68 from I-35 to the State Line. The exact location, design, and right-of-way for the corridor cannot be determined from these concepts and could be different from that shown. Additional preliminary design will need to be performed to further refine these improvements and the right-of-way requirements.

K-68 CORRIDOR STUDY
PLATE 31 OF 32
 AERIAL DATE: 2007
 October - 09